



Applications:

Suitable for commercial, retail and institutional applications including gymnasiums, factories and warehouses.

Features

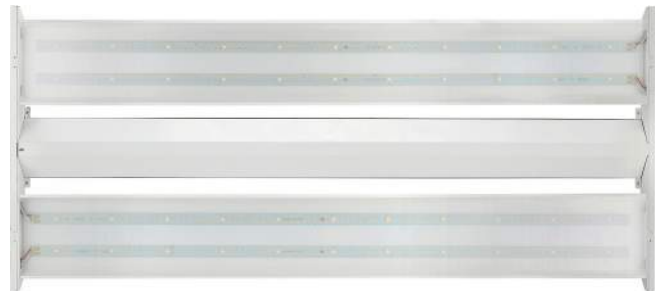
- Offering quality lighting and excellent energy savings compared to linear fluorescent and HID highbay fixtures.
- Voltage is 120-277V & 347V-480V.
- Motion Sensor optional and supports Emergency Battery.
- Lumen output from 12000-40000lm with efficacy up to 142lm/W.
- Standard 1-10V dimming available.
- Steel wire rope(default included), pendent or surface mounting available.
- Projected life span of 50,000 hrs.
- Operating temperature is -40°C to 55°C (-40°F to 131°F) .
- UL/cUL and DLC qualified.
- FCC compliant.

90W

130W&180W&205W



270W&300W



Housing

Advanced thermal management aluminum alloy with white coat finish. Suitable for pendent mount and Sling mount.

Emergency Battery

90min, 900lm  
Applicable ambient temperature is 10 C (50 F) to 40 C (104 F)

Threaded Conduit

Support wires coming from the hole for easier wire connections.

Motion Sensor

Optional motion sensor allows for security and energy saving.



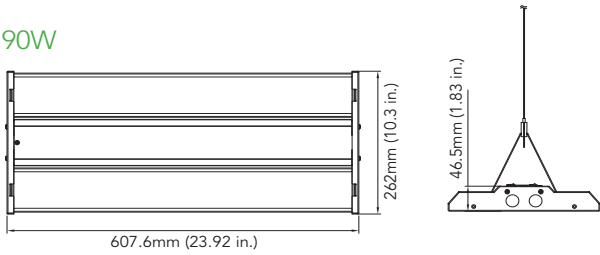
## PERFORMANCE DATA

SYSTEM WATTS	VOLTAGE	CRI	4000K		5000K	
			LUMENS	LPW	LUMENS	LPW
90W	120-277VAC/347-480V	80	12000lm	133lm/W	12600lm	140lm/W
130W	120-277VAC/347-480V	80	18000lm	138lm/W	18500lm	142lm/W
180W	120-277VAC	80	24000lm	133lm/W	24500lm	136lm/W
190W	347/480VAC	80	24500lm	129lm/W	25000lm	132lm/W
205W	120-277VAC	70	28400lm	139lm/W	29000lm	141lm/W
210W	347/480VAC	70	28700lm	137lm/W	29300lm	140lm/W
270W	120-277VAC/347-480V	80	35500lm	131lm/W	36000lm	133lm/W
300W	120-277VAC/347-480V	80	39500lm	132lm/W	40000lm	133lm/W

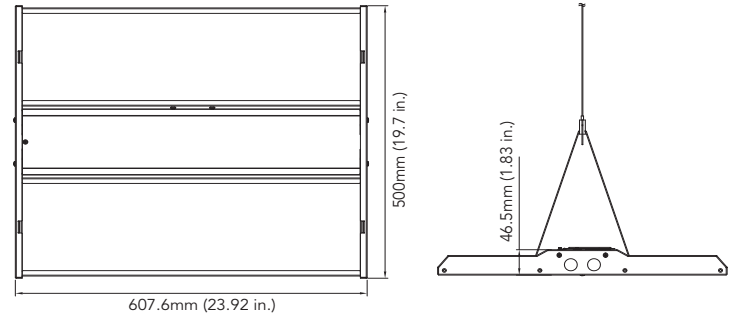
## DIMENSION

unit: inch/mm

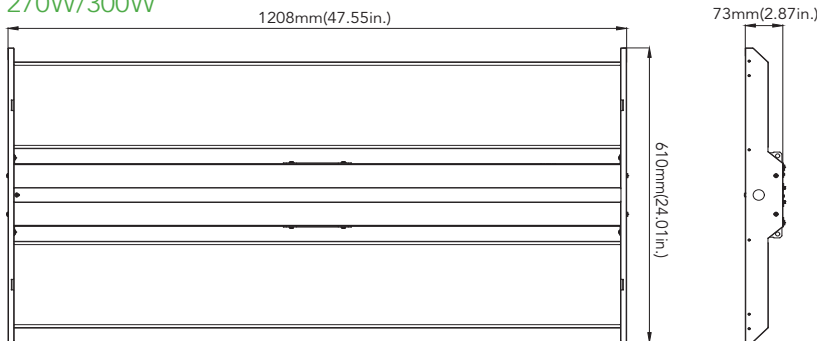
90W



130W/180W/205W

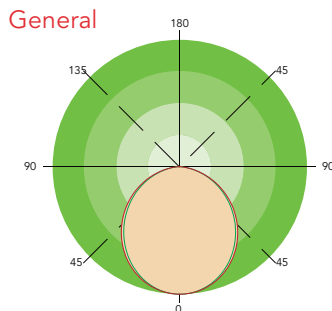


270W/300W



Weight:  
 90W: 6.98 lb  
 130W: 10.91 lb  
 180W: 11.76 lb  
 205W: 11.76 lb  
 210W: 14.26 lb  
 270W: 22.46 lb  
 300W: 22.49 lb

## PHOTOMETRICS



**ORDERING GUIDE**

Example: MLH03130W27VXXKYYY

Fixture Type	Wattage	Voltage	CCT	Lens	Sensor (Option)	Backup Battery (Option)
<input type="checkbox"/>	<input type="checkbox"/>	<input type="checkbox"/>	<input type="checkbox"/>	<input type="checkbox"/>	<input type="checkbox"/>	<input type="checkbox"/>
<b>MLH03</b> Linear high bay series	<b>90</b> 90W <b>130</b> 130W <b>180</b> 180W <b>190</b> 190W <b>205</b> 205W <b>210</b> 210W <b>270</b> 270W <b>300</b> 300W	<b>27V</b> 120-277V <b>48V</b> 347-480V 347/480V	<b>40K</b> 4000K <b>50K</b> 5000K	<b>CD</b> Clear Diffuser	<b>M</b> Motion Sensor <b>Blank</b> Without Sensor	<b>B</b> Emergency Battery <b>Blank</b> Without Emergency Battery

Note: 1. The wattage is 180W when the voltage is 120-277V, while the voltage is 347/480V, the wattage is 190W.  
 2. The wattage is 205W when the voltage is 120-277V, while the voltage is 347/480V, the wattage is 210W.  
 3. 205W and 210W(standard 70 CRI), others(standard 80CRI).  
 4. Emergency battery is not optional while the voltage is 347-480V.

**ELECTRICAL DATA**

Number Of Drivers	Driver Current (mA)	Nominal Power (W)	INPUT VOLTAGE (V)	CURRENT (Amps)
1	2270	90	120	0.75
		90	208	0.43
		90	240	0.38
	2400	90	277	0.32
		90	347	0.26
		90	480	0.19
2	3040	130	120	1.08
		130	208	0.63
		130	240	0.54
	3200	130	277	0.47
		130	347	0.37
		130	480	0.27
2	4540	180	120	1.50
		180	208	0.87
		180	240	0.75
		180	277	0.65
		190	347	0.55
		190	480	0.40
2	5200	205	120	1.71
		205	208	0.99
		205	240	0.85
		205	277	0.74
		210	347	0.61
		210	480	0.44
4	6520	270	120	2.25
		270	208	1.30
		270	240	1.13
	6400	270	277	0.97
		270	347	0.78
		270	480	0.56
4	7200	300	120	2.50
		300	208	1.44
		300	240	1.25
	7400	300	277	1.08
		300	347	0.86
		300	480	0.63



PROJECT

TYPE

CAT#:

DLC Model NO.

SYSTEM WATTS	VOLTAGE	CCT	LED NO	DLC NO.	DLC Classification
90W	120-277V	4000K	2835	MLH0390W27V40KCD[Blank,M][Blank,B]	Premium
		5000K	2835	MLH0390W27V50KCD[Blank,M][Blank,B]	Premium
	347-480V	4000K	2835	MLH0390W48V40KCD[Blank,M][Blank,B]	Premium
		5000K	2835	MLH0390W48V50KCD[Blank,M][Blank,B]	Premium
130W	120-277V	4000K	2835	MLH03130W27V40KCD[Blank,M][Blank,B]	Premium
		5000K	2835	MLH03130W27V50KCD[Blank,M][Blank,B]	Premium
	347-480V	4000K	2835	MLH03130W48V40KCD[Blank,M][Blank,B]	Premium
		5000K	2835	MLH03130W48V50KCD[Blank,M][Blank,B]	Premium
180W	120-277V	4000K	2835	MLH03180W27V40KCD[Blank,M][Blank,B]	Premium
		5000K	2835	MLH03180W27V50KCD[Blank,M][Blank,B]	Premium
190W	347/480V	4000K	2835	MLH03190W27V40KCD[Blank,M][Blank,B]	Premium
		5000K	2835	MLH03190W27V50KCD[Blank,M][Blank,B]	Premium
270W	120-277V	4000K	2835	MLH03270W27V40KCD[Blank,M][Blank,B]	Premium
		5000K	2835	MLH03270W27V50KCD[Blank,M][Blank,B]	Premium
	347-480V	4000K	2835	MLH03270W48V40KCD[Blank,M][Blank,B]	Premium
		5000K	2835	MLH03270W48V50KCD[Blank,M][Blank,B]	Premium
300W	120-277V	4000K	2835	MLH03300W27V40KCD[Blank,M][Blank,B]	Premium
		5000K	2835	MLH03300W27V50KCD[Blank,M][Blank,B]	Premium
	347-480V	4000K	2835	MLH03300W48V40KCD[Blank,M][Blank,B]	Premium
		5000K	2835	MLH03300W48V50KCD[Blank,M][Blank,B]	Premium